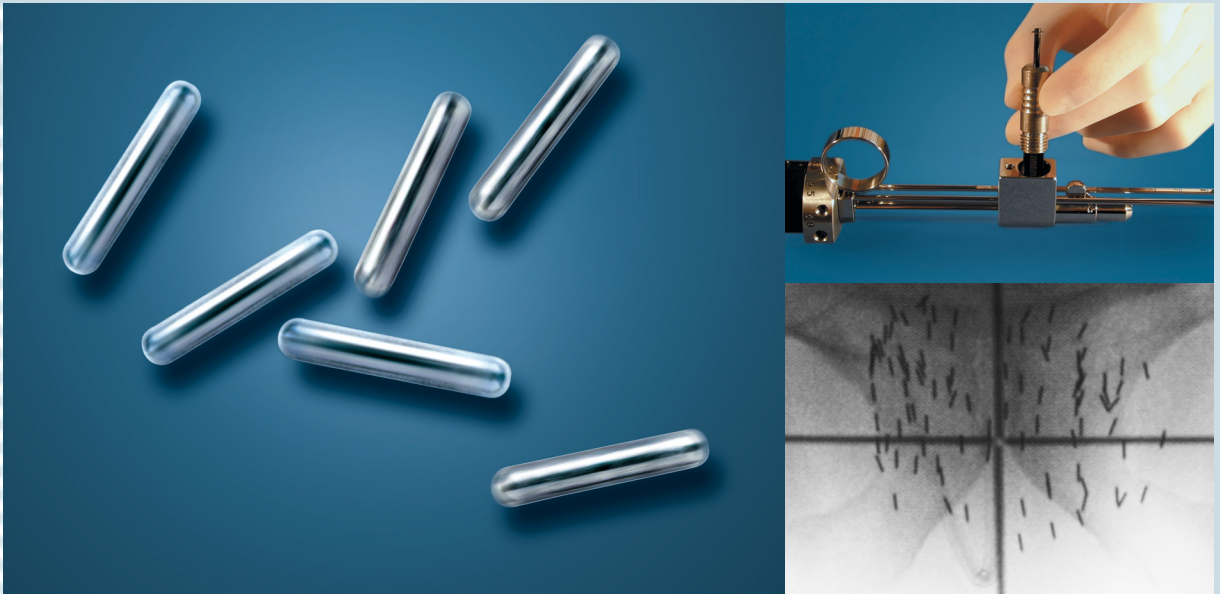


# IsoSeed® I-125

Competence in Prostate Seed Implantation



BEBIG is your competent partner for the seed implantation. We provide optimal seeds for both, X-ray based and ultrasound based seed placement. BEBIG seed products stand for excellent visibility with highest quality.

#### ■ Excellent Visibility

IsoSeed® I25.S17 is optimised for high-contrast X-ray imaging using a full size metal marker. Moreover, I25.S17 seeds can be clearly identified in MR images. This opens new perspectives for the post planning.

IsoSeed® I25.S06 contains a gold marker in order to provide superior, artefact free visibility of the seed in CT imaging. On top of this, both seeds can be very clearly seen on ultrasound images.

#### ■ Highest Quality

To provide the highest possible quality, our production is fully automated and follows strict quality standards. Every single IsoSeed® has to pass quality checks on any production stage.

#### ■ Calibration to NIST

The certified source strength is calibrated in air kerma strength traceable to the primary  $S_{K,N99}$  standard of the NIST (National Institute of Standards and Technology).

#### ■ Guaranteed Bio Compatibility

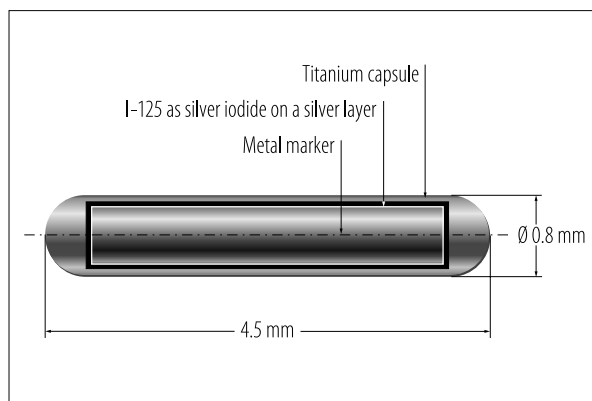
The Titanium capsule of IsoSeed® meets ASTM F67-95 specifications. During the welding process no additives are used. Therefore full bio compatibility is guaranteed.

#### ■ Competent partner for seed implantation

We process orders fast and reliably and are also always available for our customers for all questions around seed implantation.

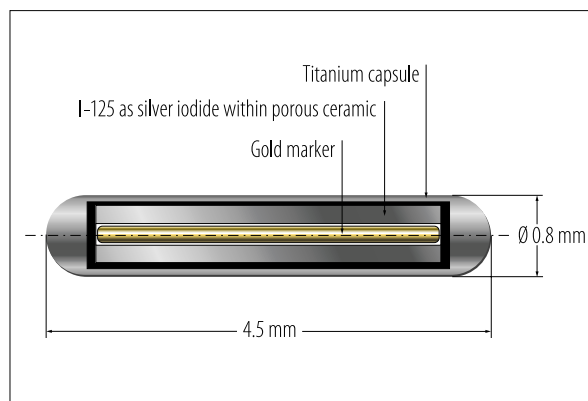
# IsoSeed® I-125

## ■ IsoSeed® I25.S17 Details



■ Optimised for X-ray, ultrasound and MR visibility

## ■ IsoSeed® I25.S06 Details



■ Optimised for ultrasound visibility and CT artefact freedom

## ■ Packaging and Ordering



I25.S17 SM and I25.S06 SM



I25.S17 SL and I25.S06 SL

- IsoSeed® is available as loose seeds or loaded in Mick® Magazines.
- To ensure your safety, our seeds are supplied in a shielded stainless steel container.
- Ordering number for seeds loaded in Mick® Magazine: I25.S17 SM and I25.S06 SM
- Ordering number for loose seeds: I25.S17 SL and I25.S06 SL

## ■ Activities Available

Class number	Air kerma in $\mu\text{Gy m}^2/\text{h}$	Apparent activity in mCi	Apparent activity in MBq
1	0.357-0.386	0.281-0.304	10.38-11.26
2	0.387-0.419	0.305-0.330	11.27-12.22
3	0.420-0.455	0.331-0.358	12.23-13.26
4	0.456-0.493	0.359-0.388	13.27-14.37
5	0.494-0.535	0.389-0.421	14.38-15.59
6	0.536-0.581	0.422-0.457	15.60-16.92
7	0.582-0.630	0.458-0.496	16.93-18.37
8	0.631-0.683	0.497-0.538	18.38-19.92
9	0.684-0.742	0.539-0.584	19.93-21.62
10	0.743-0.805	0.585-0.634	21.63-23.47
11	0.806-0.874	0.635-0.688	23.48-25.47
12	0.875-0.948	0.689-0.746	25.48-27.62
13	0.949-1.028	0.747-0.809	27.63-29.95
14	1.029-1.115	0.810-0.878	29.96-32.50

Other activities are available on request.

- The activity of IsoSeed® decreases by one class every week.
- Reference day for the certified apparent activity is always a Monday.

Mick® is a registered trademark of Mick Radio-Nuclear Instruments, Inc

## **BEBIG Isotopen- und Medizintechnik GmbH**

Robert-Rössle-Strasse 10  
13125 Berlin  
Germany  
www.bebig.com

Telephone +49 (0) 30 94 10 84-130  
Telefax +49 (0) 30 94 10 84-112  
e-mail info@bebig.de