

BRACHYWARE NEWS

www.seedos.com

Winter 2001

Introduction

Improvements in ultrasound imaging, seed visualization technology and planning software are rapidly advancing the feasibility of real time dosimetric analysis. Intra-operative plan modification as the actual locations of implanted seeds are detected will become increasingly commonplace as the accuracy of all phases of the prostate brachytherapy procedure continues to improve and these new technologies are disseminated. Improved performance of the seed placement hardware and accessories must be made in parallel to facilitate the convergence of the improved imaging and planning technologies with implantation results. We remain committed to providing the clinician with the equipment solutions to reach these goals.

Barzell-Whitmore Maroon Bells, Inc., is focused on providing hardware and accessories to take maximum advantage of these progressive imaging and planning technologies by improving the accuracy, versatility, and user convenience of our equipment at every phase of the procedure.

This news letter is the first in a series of communications designed to keep you up to date on our activities, new programs, and new products, so you can take best advantage of the new technologies to match your requirements.

BrachystepperEX "Designed to Extend Your Capabilities and Investment" W. E.

Barzell, W.F. Whitmore, S. Brauner

Barzell-Whitmore is pleased to introduce the new BrachystepperEX ultrasound transducer stepping and positioning platform. The realization of the EX was driven by visionary direction, user feedback, and the obsessive refinement of our classic Brachystepper. The unique EX design enables users to scale its capabilities to meet the demands of today's multi-modality and rapidly changing clinical environment. Whether your requirements demand precision manual stepping **EXI**, closed loop positional feedback to your planning system **EXII**, or fully automated servo motion control **EXIII**, the EX platform can deliver a solution that allows extensibility there-by protecting your initial investment.



The Brachyplanner

Volume Study System

W.E.Barzell, W.F. Whitmore, S Brauner

Sometimes there is a time conflict or it is simply inconvenient to transport your brachytherapy hardware from the operating suite to the office or clinic. Or one treatment site may be supporting multiple volume study sites. Our solution to these problems is the new Brachyplanner™ Office System. This inexpensive device is designed to be compatible with most ultrasound transducers to do prostate sizing and planimetry in the office setting for the evaluation and preplanning activity for prostate brachytherapy. It comes with a convenient rolling setup and storage stand and mounting hardware that permits easy setup on any type of examining table.

PROBE CRADLE - The probe cradle is a modified V block that will accept most transrectal ultrasound transducers. It permits the user to easily adjust rotational position of the transducer and has a 5 mm. incremental stepping function.



FINE ADJUSTMENT MECHANISM (FAM) - Three knobs



allow controlled fine adjustment of the ultrasound transducer position in x-, y- and z-axes (z axis is parallel to longitudinal axis of the transducer, x is side to side and y is up and down) . A handle is attached to provide a place to grasp the device and to set it onto a wheeled floorstand.

UNIVERSAL JOINTED ARMS (2) - These are permanently attached to the FAM and have a central locking knob which locks and unlocks the joints. There are clamps on the free ends that can be attached to the table or to the Brachyboard II

WHEELED BASE for storage, transportation and preparation. It is required as a staging platform to secure the device while mounting the ultrasound probe and as a place to securely hold the device when not in use.

BRACHYBOARD™ II - is for use when the examining or operating table is upholstered or has no convenient attachment points for the universal clamps.

BRACHYCLAMP™ - Optional accessory for use on tables with siderails. Use instead of Brachyboard II.

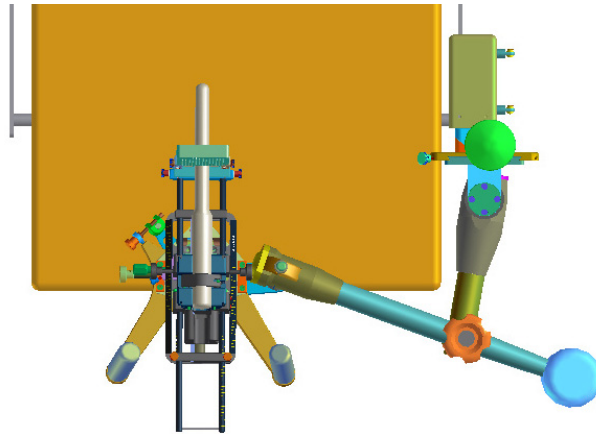
Brachyplanner available now!

Please contact cwalters@seedos.com for details

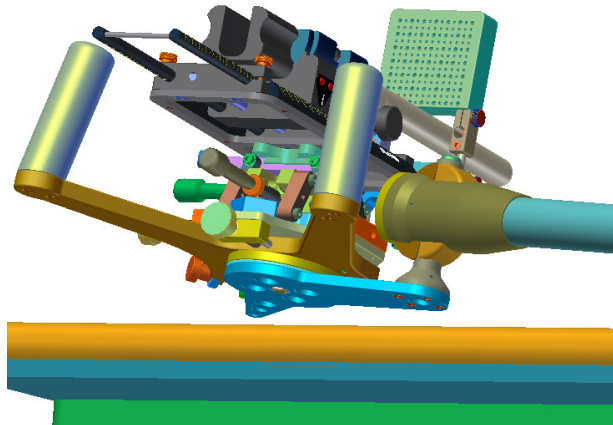
MicroTouchLP

W. E. Barzell, W.F. Whitmore, S Brauner

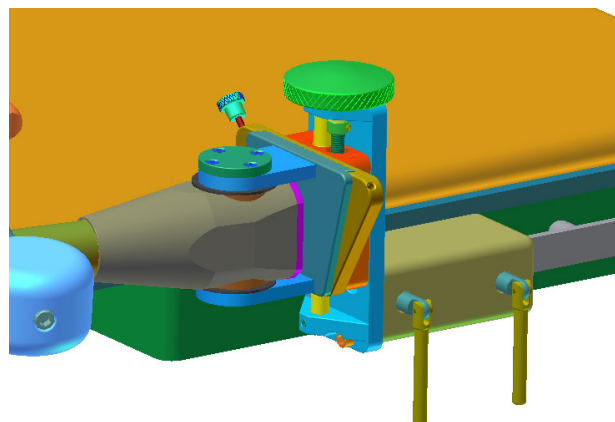
Having had the opportunity to observe prostate brachytherapy performed at many different sites over a several year period, it is quite clear that a quality implant may be achieved using a wide variety of technologies in a variety of settings. To satisfy the special requirements of one of these more common but underserved approaches we are introducing a new version of the top of the line Micro-Touch® Brachystand. The new Micro-Touch LP (low profile) is specifically designed for use on cystoscopy tables with a fixed fluoroscopy/x-ray gantry. The Micro-Touch LP attaches to these tables on the side opposite the gantry and allows the user to do simultaneous fluoroscopy/x-ray and seed implantation while retaining all the best characteristics and the remarkable versatility of the Micro-Touch® ultrasound platform and needle guide system. Light weight freehand adjustment, microadjustment in every plane and about every axis and an ergonomic configuration allows the user complete freedom to move the patient under the fluoroscope and x-ray during the implant without the loss of position of the instruments or interference with the table.



The MicroTouch^{LP} provides a generous working envelope for flexibility and quick set up.



The Fine Adjustment Mechanism (FAM) presents a minimum profile, clearing the table while maintaining it's industry leading functionality.



The robust single side mount clamp is easy to use and provides stability and adjustability.

Distributed by SeeDOS Ltd

For further information or a quotation please contact

Colin Walters at cwalters@seedos.com

Tel : +44 (0)1525 850670

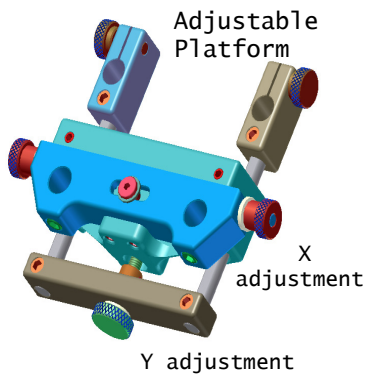
Fax : +44 (0)1525 850685

www.seedos.com

What's inside:

- ◆ NEW MicroTouchLP.
- ◆ NEW BrachystepperEX.
- ◆ Using the Brachyplanner office system.

Don't forget!
Adjustable platforms
are now available.



The Brachystepper**AP**
(adjustable platform) is
designed for the user who
wants the additional flexibility of
incremental platform micro-
adjustment. The fine pitch
incremental adjustment knobs allow
the user to quickly and easily "dial-
in" a very high level of accuracy that
will compensate for transducer,
equipment, or software deviations.

For classic Brachystepper users
adjustable platform upgrades are
available and include a handy
calibration stand.

