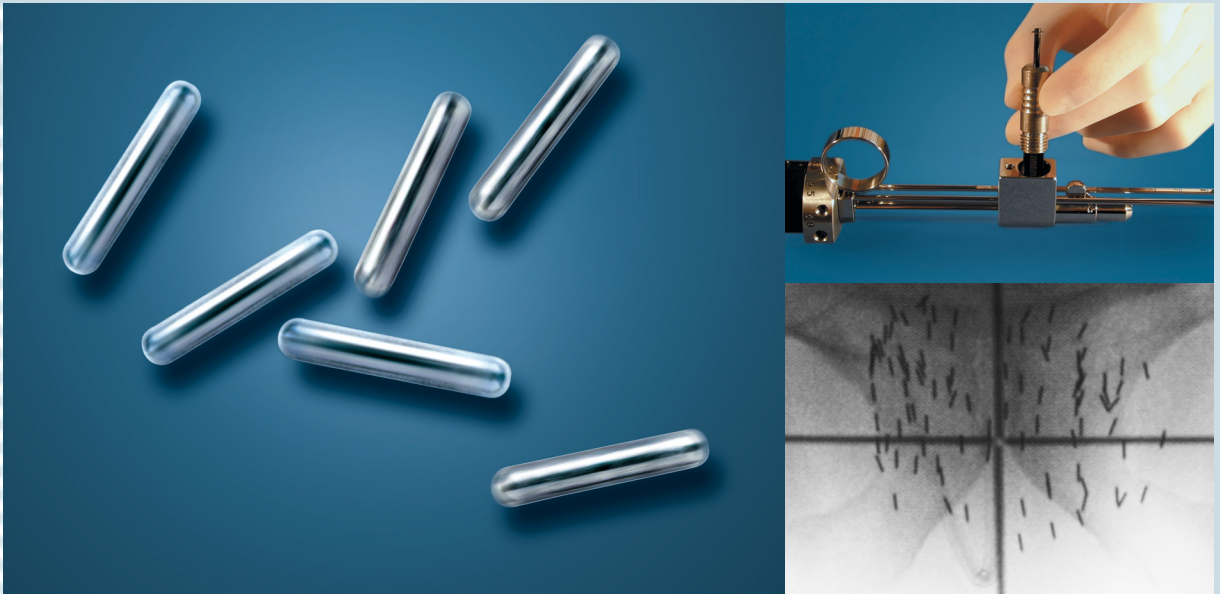


IsoSeed® I-125

Competence in Prostate Seed Implantation



BEBIG is your competent partner for the seed implantation. We provide optimal seeds for both, X-ray based and ultrasound based seed placement. BEBIG seed products stand for excellent visibility with highest quality.

■ Excellent Visibility

IsoSeed® I25.S17 is optimised for high-contrast X-ray imaging using a full size metal marker. Moreover, I25.S17 seeds can be clearly identified in MR images. This opens new perspectives for the post planning.

IsoSeed® I25.S06 contains a gold marker in order to provide superior, artefact free visibility of the seed in CT imaging. On top of this, both seeds can be very clearly seen on ultrasound images.

■ Highest Quality

To provide the highest possible quality, our production is fully automated and follows strict quality standards. Every single IsoSeed® has to pass quality checks on any production stage.

■ Calibration to NIST

The certified source strength is calibrated in air kerma strength traceable to the primary $S_{K,N99}$ standard of the NIST (National Institute of Standards and Technology).


■ Guaranteed Bio Compatibility

The Titanium capsule of IsoSeed® meets ASTM F67-95 specifications. During the welding process no additives are used. Therefore full bio compatibility is guaranteed.

■ Competent partner for seed implantation

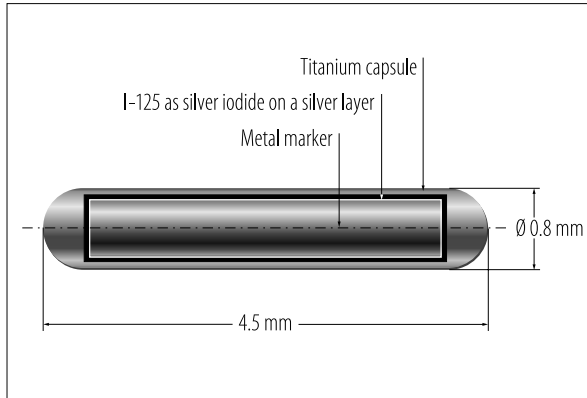
We process orders fast and reliably and are also always available for our customers for all questions around seed implantation.

Distributed by SeeDOS Ltd
Please contact cwalters@seedos.com

 **Eckert & Ziegler**
BEBIG

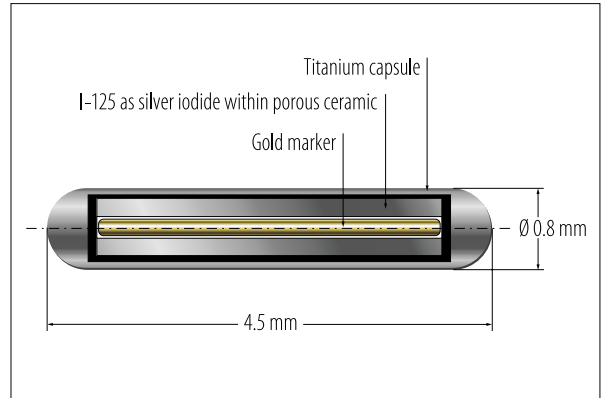
IsoSeed® I-125

■ IsoSeed® I25.S17 Details



■ Optimised for X-ray, ultrasound and MR visibility

■ IsoSeed® I25.S06 Details



■ Optimised for ultrasound visibility and CT artefact freedom

■ Packaging and Ordering



I25.S17 SM and I25.S06 SM



I25.S17 SL and I25.S06 SL

- IsoSeed® is available as loose seeds or loaded in Mick® Magazines.
- To ensure your safety, our seeds are supplied in a shielded stainless steel container.
- Ordering number for seeds loaded in Mick® Magazine: I25.S17 SM and I25.S06 SM
- Ordering number for loose seeds: I25.S17 SL and I25.S06 SL

■ Activities Available

Class number	Air kerma in $\mu\text{Gy m}^2/\text{h}$	Apparent activity in mCi	Apparent activity in MBq
1	0.357-0.386	0.281-0.304	10.38-11.26
2	0.387-0.419	0.305-0.330	11.27-12.22
3	0.420-0.455	0.331-0.358	12.23-13.26
4	0.456-0.493	0.359-0.388	13.27-14.37
5	0.494-0.535	0.389-0.421	14.38-15.59
6	0.536-0.581	0.422-0.457	15.60-16.92
7	0.582-0.630	0.458-0.496	16.93-18.37
8	0.631-0.683	0.497-0.538	18.38-19.92
9	0.684-0.742	0.539-0.584	19.93-21.62
10	0.743-0.805	0.585-0.634	21.63-23.47
11	0.806-0.874	0.635-0.688	23.48-25.47
12	0.875-0.948	0.689-0.746	25.48-27.62
13	0.949-1.028	0.747-0.809	27.63-29.95
14	1.029-1.115	0.810-0.878	29.96-32.50

Other activities are available on request.

- The activity of IsoSeed® decreases by one class every week.
- Reference day for the certified apparent activity is always a Monday.

Mick® is a registered trademark of Mick Radio-Nuclear Instruments, Inc

SeeDOS Ltd
26 The Maltings
Leighton Buzzard
Bedfordshire LU7 4BS
United Kingdom
Tel : + 44 (0) 1525 850670
Fax : + 44 (0) 1525 850685
Email : cwalters@seedos.com
Website : www.seedos.com